

Sealed Rechargeable Ni-Cd Cell

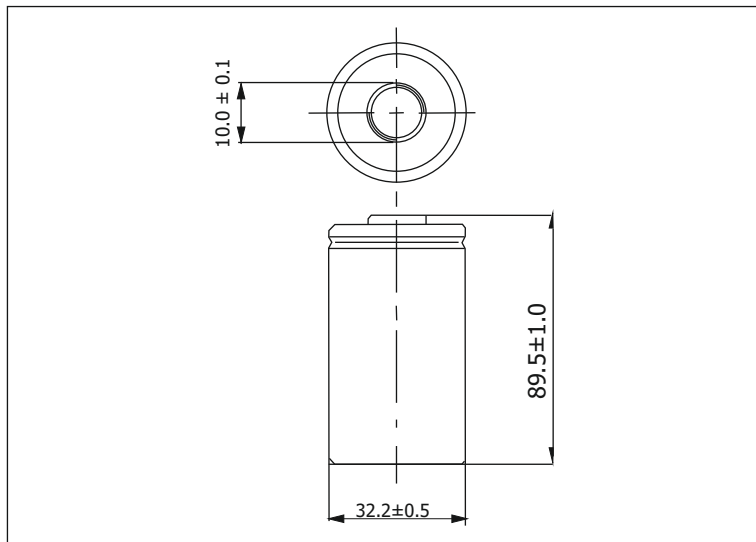
F-7000

Type: F-7000 (FLAT TOP)

Specifications of single cell (For Reference)

Nominal voltage		1.2V	
Nominal Capacity (C/5 Rate)		7000mAh	
Capacity (Time)	At 0.2C Discharge		
	Minimum	270 min	
	Typical	300min	
Charging Voltage		1.6V	
Discharge Cut off Voltage		1V	
Dimensions	Diameter	32.2± 0.5 mm	
	Height	89.5 ± 1.0 mm	
Weight (Approximately)		grams 175	
Internal Impedance At 1000 Hz		12mΩ (Max) (After Charge)	
Charge	Standard	700mA (0.1C) × 16hrs	
	Rapid	1400mA (0.2C) × 6hrs	
Ambient Temperature	Charge	Standard	0°C to 40°C
		Rapid	0°C to 40°C
	Discharge		-20°C to 60°C
	Storage		-20°C to 40°C

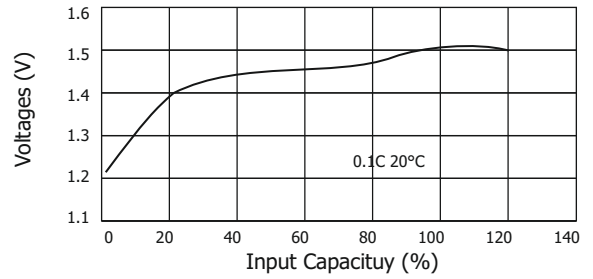
Dimensions (with tube): in (mm)



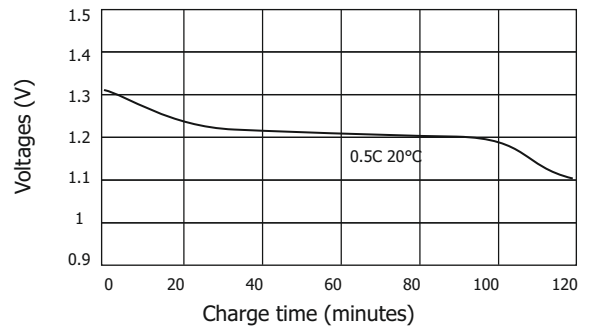
Note :

1. Recharge battery at least once in month.
2. When connecting a battery pack to a charger, ensure correct polarity.
3. Store batteries in a cool dry place.
4. Do not dispose battery in trash, recycle them.

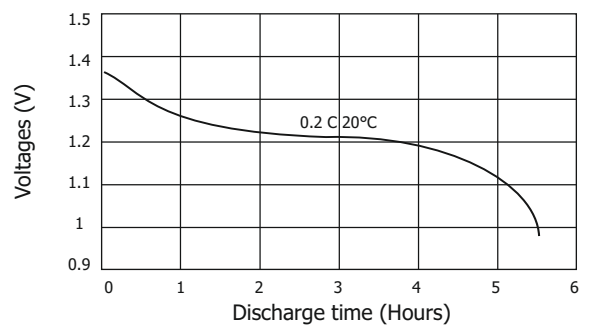
Charge



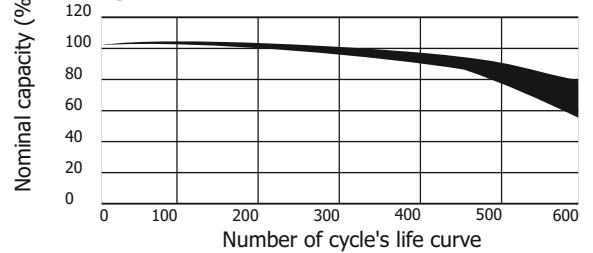
Discharge at high rate (0.5C)



Discharge at low rate



Cycle life characteristics



Charge Retention

